

CoreStreet Server Validation Extension

CoreStreet Server Validation Extensions provide secure validation of digital certificates for a wide range of secure applications.

Overview

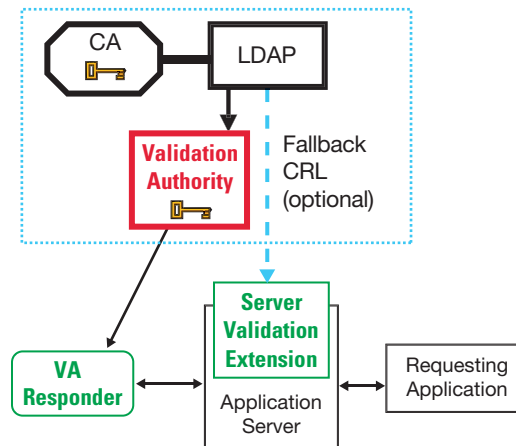
A digital certificate provides a secure way to authenticate the identity of a person or computer. Unfortunately, authentication does not determine whether the certificate itself is still valid, or whether its associated roles and privileges are still current. A relying party must check for status changes and revocation to implement a truly secure Public Key Infrastructure (PKI). This validation check must be fast, available and secure to support a medium to large PKI environment.

The CoreStreet Server Validation Extension (SerVE) provides the means for an application server to validate the status of a digital certificate when a client requests access to a secure resource.

Whenever a client makes such a query, the CoreStreet SerVE requests the current certificate status from an Online Certificate Status Protocol (OCSP) responder. The responder then returns an OCSP response used by SerVE to establish the certificate's validity. Finally, the application server permits or denies the client access to the requested secure resource.

In addition to OCSP, the CoreStreet SerVE can create a local cache for Certificate Revocation Lists (CRL). This fallback option allows for continuous validation in the event that network connectivity to the responder is lost. Versions of SerVE are designed to work with many of the most common application servers, including: Microsoft® IIS, Microsoft® Domain Controller, and Microsoft® Exchange OWA.

The CoreStreet SerVE have been designed to complement CoreStreet's Distributed OCSP infrastructure. When used in concert, the two components dramatically decrease response times while providing increased security, scalability and availability.



Components

CoreStreet SerVE is designed to have simple installation and management. It includes the following components:

- **Management Console** A graphical interface to configure the behavior and security options of the plug-in.
- **Server plug-in** The plug-in is registered with the Windows® operating system to receive all certificate validation requests.

Compatibility

CoreStreet Server Validation Extensions supports the following validation technologies

- OCSP
- X.509 CRL
- MiniCRL

Supported Application Servers

- Microsoft® IIS
- Microsoft® Domain Controller
- Microsoft® Exchange OWA