

E-Plex[®] 5800 FIPS-201 Compliant PACS Specifications



The new E-Plex[®] 5800 Physical Access Control System (PACS) is an electronic stand-alone locking system. Locks are designed to authenticate and provide physical access using Personal Identity Verification (PIV) Contactless smart cards containing the bearer's encrypted card ID data, digital signature, and certificate data, including photograph.

- Complies to Federal Information Processing Standard Publication (FIPS-201) and the Homeland Security Presidential Directive 12 (HSPD-12).
- Lock supports all types of FIPS-201 compliant cards including: the First Responder Authentication Credential (FRAC) used by emergency service workers, Transportation Worker Identification Card (TWIC) used by transportation workers, the new version of the Common Access Card (CAC-II) used by the Department of Defense, and other compliant cards.
- In addition to supporting all FIPS-201 compliant ID cards, the lock also supports the Phillips DESFire Contactless smart cards for any valid users who have not been issued FIPS-201 cards—eg. temporary users, visitors etc.

The E-Plex 5800 lock is a dual credential lock that can be programmed to work with either smart card-only or dual credential modes based on your security requirements and programmed access schedules. Dual credential utilizes PIN, followed by presentation of smart card.



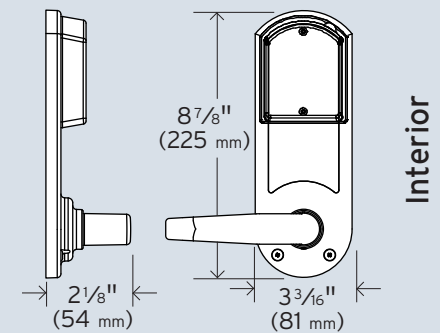
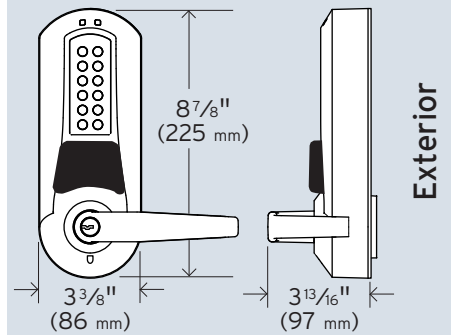
Access Control System Features

Access Granting	Card only (FIPS-201 compliant or DESFire card)						
Credentials (2):	Dual Credential - PIN followed by Card						
Personal ID Verification Interface:	Contactless Interface ISO 14443A (and B when available)						
ID Card Enrolling Station:	One Card Reader/Enroller that supports both (ISO7816-4) Contact Interface and (ISO 1443A) Contactless Interface						
Lock Programming & Auditing Unit:	Handheld PDA with IrDA communications						
Number of Users & Audit Events in Lock:	Users: 3,000 users Audits: 30,000 audit events						
Authority Levels (6):	Authority levels allow you to control who has access to specific lock operations: <table border="0" style="margin-left: 20px;"> <tr> <td>Master</td> <td>Guest/Visitor User</td> </tr> <tr> <td>Manager</td> <td>Service User</td> </tr> <tr> <td>Access User</td> <td>Maintenance Unit (PDA) User</td> </tr> </table>	Master	Guest/Visitor User	Manager	Service User	Access User	Maintenance Unit (PDA) User
Master	Guest/Visitor User						
Manager	Service User						
Access User	Maintenance Unit (PDA) User						
Programmed Scheduling :	Up to 16 different access schedules per lock Up to 32 different holiday/vacation blocks per lock						
Passage Mode Options (3):	First privileged-user enabled Automatic according to access schedules Manually toggled on/off at the lock keypad						

E-Plex 5800 Series



Dimensions



Access Control System Features *(continued)*

System Software: Host application PC server with multiple workstations support using Thin Client interface over network (or same machine)
SQL database with critical data components encrypted for highest security
Validation of credential's digital certificate performed during card enrollment
Verification of cardholder status across all issued credentials performed via Online Certificate Status Protocol (OCSP)
CoreStreet high assurance technology ensures enhanced FIPS-201 credential checking

Lock Features

Mechanical: Locking Device Options: Cylindrical, American Standard Mortise and Rim Exit Device
Construction: Extra heavy-duty, vandal resistant
Handing: Non-handed, pre-assembled for left-hand door installation - easily changed in the field
Installation: Patented LectorBolt™ eliminates wiring to or through the door - reducing risk of lock failure due to pinched wires during installation
Key Override Options:
Key-in-Lever/Knob cylinders
Small format interchangeable cores
Large format removable cores

Electronics: Batteries: Operates on four (4) AA Alkaline batteries located in interior housing cover. Provides up to 100,000 cycles. Low battery indicator gives warning well before complete battery failure
Electronic Module: Entire lock electronics and associated components are enclosed in one module for easy service and replacement

Certifications and Testing

Certifications: Fire Rating: 3-hour, UL/ULC fire door rating
Lock Grade: ANSI / BHMA Grade 1 Certified
Accessibility Standard: Americans with Disabilities Act (ADA)

Environmental Rating: Front Housing: -31° F (-35° C) to + 151° F (66° C)
Rear Housing: -31° F (-35° C) to + 130° F (55° C)

Warranty

Warranty: 3-year built-in warranty counter automatically tracks number of days used since installation

Finishes

Standard Finishes: Satin Chrome 26D (626) housings & levers
Black (676) housings with Satin Chrome (626) accents

Optional Finishes: Bright Brass 03 (605) housings & levers
Satin Brass 04 (606) housings & levers
Bright Chrome 026 (625) housings & levers
Dark Bronze (744) - Simulates 10B/613 housings with Satin Brass(606) accents



Satin Chrome



Black



Bright Brass



Bright Chrome



Satin Brass



Dark Bronze

Disclaimer: While reasonable efforts were made to ensure the accuracy of this document at the time of printing, Kaba assumes no liability for any errors or omissions. This information is subject to be revised without notice, and changes may be incorporated in future releases.

KAA1121 0508

With over 145 years of experience, Kaba is one of the largest suppliers of access control products in the world with operations in over 60 countries.

Kaba Access Control, based in Winston-Salem, North Carolina, offers a diversified product line of access control solutions. With Peaks patented key control systems, Simplex mechanical push-button locks and E-Plex electronic access control products, Kaba Access Control offers a solution for every door and every budget.

Kaba Access Control
2941 Indiana Ave
Winston-Salem, NC 27105
Tel: 1-800-849-8324
www.kabaaccess.com

